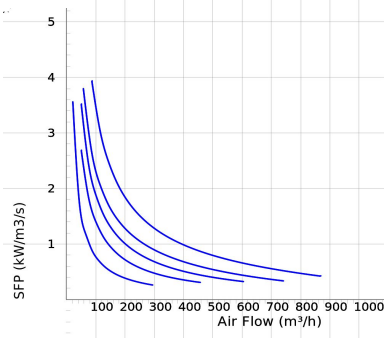
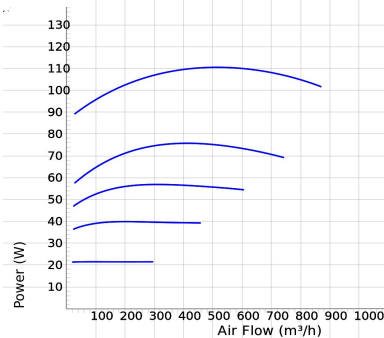
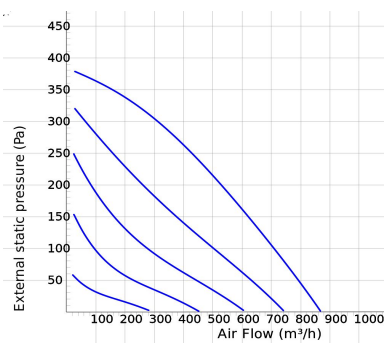


KVFU 160 C

- Wall fan with circular inlet connection.
- KV has a square mounting plate.
- Proven performance and reliability.
- Compact with high capacity and efficiency.
- Suitable for a wide variety of applications.
- Operational in both 50 and 60 Hz.
- Impeller with backward curved blades.
- The external rotor motor has maintenance-free sealed ball-bearings.
- Integrated motor protection.
- Junction box has enclosure class IP 54.
- For speed control a transformer or electronic speed controller can be connected.
- Fan housing is manufactured from galvanized sheet steel.
- The fan is intended to be installed in a duct system, mounted on the inside wall.
- Easy installation in any position.
- Can be used in damp environments.
- To comply with the ErP 2018 regulation, a local demand controller must be used.

Accessories

- VRTE C
- VRDE 1,5
- VRS 1.0
- Local Demand Controller Kit
- MK 160
- BSV 160
- BSR 355
- RSK 160
- VK 355
- LDC 160



Voltage steps

1	2	3	4	5
80V	110V	135V	165V	230V

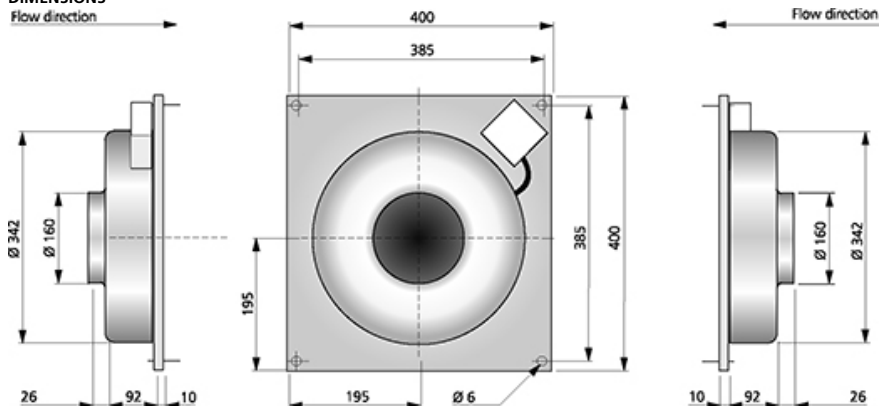
TECHNICAL DATA

	7100054 KVFU 160 C man tp	7100106 KVFU 160 C aut tp
Voltage	230 V	230 V
Phase	1 ~	1 ~
Frequency	50 Hz	50 Hz
Power	111 W	111 W
Current	0.48 A	0.48 A
Speed	2490 r.p.m.	2490 r.p.m.
Max. temperature of transported air	75 °C	75 °C
Max. temperature of transported air when speed controlled	75 °C	75 °C
Sound pressure level at 3 m	43 dB(A)	43 dB(A)
Weight	3.5 kg	3.5 kg
Enclosure class	44 IP	44 IP
Insulation class, motor	F	F
Capacitor	3 µF	3 µF
Duct connection	160 mm	160 mm
Max. flow	871.20243936683 m³/h	871.20243936683 m³/h
Max. pressure	386 Pa	386 Pa
Voltage range	220-240 V	220-240 V

SOUND DATA

	Flow (m³/h)	L _{WA} tot dB (A)	63Hz	125Hz	250Hz	500Hz	1KHz	2KHz	4KHz	8KHz
5. Surrounding Lw dB(A) 230V	522	50	18	34	40	46	44	42	38	29
5. Outlet Lw dB(A) 230V	522	70	33	42	54	64	67	64	60	50
5. Inlet Lw dB(A) 230V	522	72	54	60	67	68	63	61	61	53
4. Inlet Lw dB(A) 165V	410	67	51	56	62	62	57	55	54	45
3. Inlet Lw dB(A) 135V	328	61	48	53	57	56	51	51	46	36
2. Inlet Lw dB(A) 110V	230	54	43	47	50	48	43	40	36	24
1. Inlet Lw dB(A) 80V	137	45	38	40	40	37	32	23	20	11

DIMENSIONS



DISTRIBUTEUR EN TUNISIE

Rue de la Fonte, zone industrielle 2013 BEN AROUS
 Téléphone : 71 38 85 34 – Fax : 71 38 42 30
 E-mail : atv@atv.tn
 Site web : www.atv.tn