

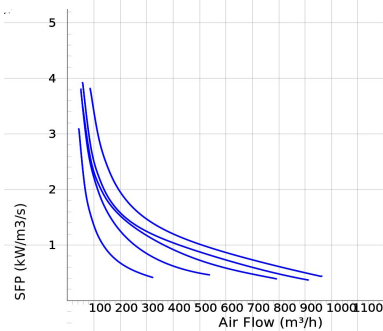
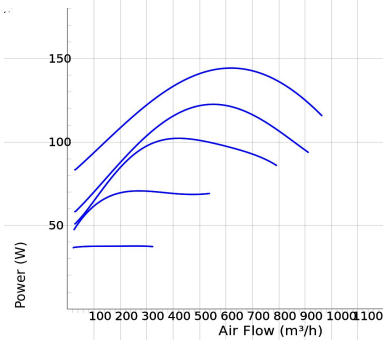
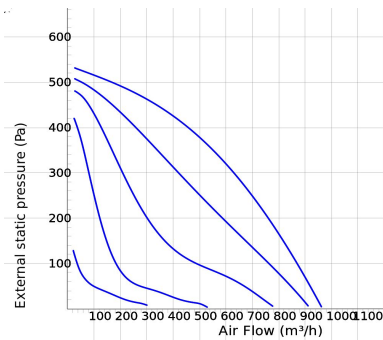


CK 250 B ErP

- Duct fan with circular connections.
- Proven performance and reliability.
- Compact with high capacity and efficiency.
- Low sound levels.
- Operational in both 50 and 60 Hz.
- Impeller with backward curved blades.
- The external rotor motor has maintenance-free sealed ball-bearings and is very energy efficient.
- For speed control a transformer or electronic speed controller can be connected.
- Integrated motor protection.
- Junction box has enclosure class IP 54.
- Fan housing is manufactured from galvanized sheet steel.
- The fan is intended to be installed in a duct system.
- A duct connected fan can be installed outside or in damp environments.
- Easy installation in any position.

Accessories

- VRTE C
- VRDE 1,5
- VRS 1.0
- MB
- MK 250
- BSV 250
- RSK 250
- YG 250
- VK 250
- FLK 250
- FLF 250
- LDC 250



Voltage steps

1	2	3	4	5
80V	110V	135V	165V	230V

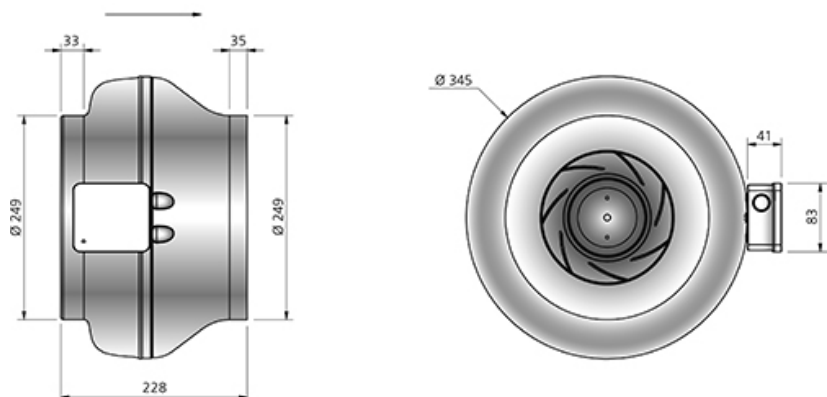
TECHNICAL DATA

	700066 CK 250 B aut tp ErP	700022 CK 250 B man tp ErP
Voltage	230 V	230 V
Phase	1 ~	1 ~
Frequency	50 Hz	50 Hz
Optional frequency	60 Hz	60 Hz
Power	145 W	145 W
Current	0.63 A	0.63 A
Current when speed controlled	0.78 A	0.78 A
Speed	2750 r.p.m.	2750 r.p.m.
Max. temperature of transported air	80 °C	80 °C
Max. temperature of transported air when speed controlled	65 °C	65 °C
Sound pressure level at 3 m	46 dB(A)	46 dB(A)
Weight	4.6 kg	4.6 kg
Enclosure class	44 IP	44 IP
Insulation class, motor	F	F
Capacitor	5 µF	5 µF
Duct connection	250 mm	250 mm
Max. flow	961.20269136754 m³/h	961.20269136754 m³/h
Max. pressure	533 Pa	533 Pa
Voltage range	220-240 V	220-240 V

SOUND DATA

	Flow (m³/h)	L _{WA} tot dB (A)	63Hz	125Hz	250Hz	500Hz	1KHz	2KHz	4KHz	8KHz
5. Surrounding Lw dB(A) 230V	752	53	30	32	42	46	49	45	43	38
5. Outlet Lw dB(A) 230V	752	76	57	61	71	66	69	67	65	63
5. Inlet Lw dB(A) 230V	752	75	54	61	67	67	70	66	64	66
4. Inlet Lw dB(A) 165V	641	71	51	59	64	63	65	61	61	61
3. Inlet Lw dB(A) 135V	511	64	47	52	57	56	57	55	59	44
2. Inlet Lw dB(A) 110V	277	54	41	46	47	46	45	48	38	27
1. Inlet Lw dB(A) 80V	166	48	33	40	45	41	36	33	23	20

DIMENSIONS



DISTRIBUTEUR EN TUNISIE

Rue de la Fonte, zone industrielle 2013 BEN AROUS

Téléphone : 71 38 85 34 - Fax : 71 38 42 30

E-mail : atv@atv.tn

Site web : www.atv.tn