

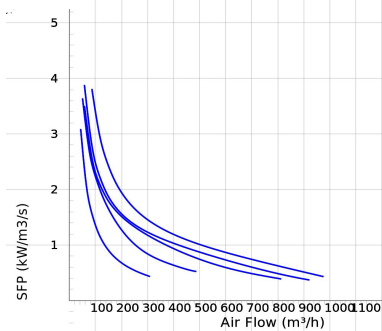
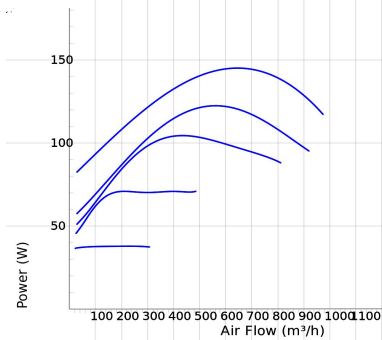
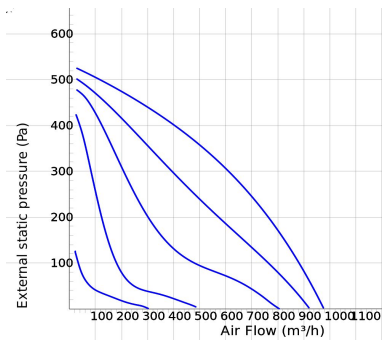


CK 200 B ErP

- Duct fan with circular connections.
- Proven performance and reliability.
- Compact with high capacity and efficiency.
- Low sound levels.
- Operational in both 50 and 60 Hz.
- Impeller with backward curved blades.
- The external rotor motor has maintenance-free sealed ball-bearings and is very energy efficient.
- For speed control a transformer or electronic speed controller can be connected.
- Integrated motor protection.
- Junction box has enclosure class IP 54.
- Fan housing is manufactured from galvanized sheet steel.
- The fan is intended to be installed in a duct system.
- A duct connected fan can be installed outside or in damp environments.
- Easy installation in any position.

Accessories

- VRTE C
- VRDE 1,5
- VRS 1.0
- MB
- MK 200
- BSV 200
- RSK 200
- YG 200
- VK 200
- FLK 200
- FLF 200
- LDC 200



Voltage steps

1	2	3	4	5
80V	110V	135V	165V	230V

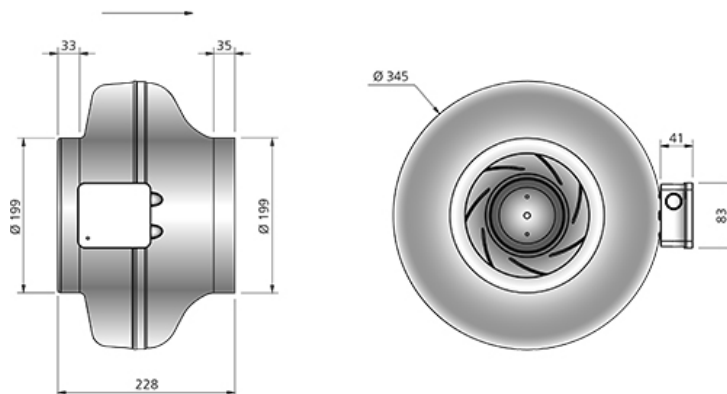
TECHNICAL DATA

	7000057 CK 200 B aut tp ErP	7000016 CK 200 B man tp ErP
Voltage	230 V	230 V
Phase	1 ~	1 ~
Frequency	50 Hz	50 Hz
Optional frequency	60 Hz	60 Hz
Power	145 W	145 W
Current	0.63 A	0.63 A
Current when speed controlled	0.78 A	0.78 A
Speed	2750 r.p.m.	2750 r.p.m.
Max. temperature of transported air	80 °C	80 °C
Max. temperature of transported air when speed controlled	65 °C	65 °C
Sound pressure level at 3 m	45 dB(A)	45 dB(A)
Weight	4.7 kg	4.7 kg
Enclosure class	44 IP	44 IP
Insulation class, motor	F	F
Capacitor	5 µF	5 µF
Duct connection	200 mm	200 mm
Max. flow	975.60273168765 m³/h	975.60273168765 m³/h
Max. pressure	530 Pa	530 Pa
Voltage range	220-240 V	220-240 V

SOUND DATA

	Flow (m³/h)	L _{WA} tot dB (A)	63Hz	125Hz	250Hz	500Hz	1KHz	2KHz	4KHz	8KHz
5. Surrounding Lw dB(A) 230V	691	52	27	34	41	46	48	43	44	35
5. Outlet Lw dB(A) 230V	691	75	57	61	69	69	67	66	64	59
5. Inlet Lw dB(A) 230V	691	74	54	63	68	69	66	63	62	57
4. Inlet Lw dB(A) 165V	590	70	51	59	65	64	62	59	58	49
3. Inlet Lw dB(A) 135V	443	61	45	54	56	56	52	51	45	35
2. Inlet Lw dB(A) 110V	209	52	37	48	45	45	42	34	25	18
1. Inlet Lw dB(A) 80V	144	47	38	45	39	36	30	18	12	13

DIMENSIONS



DISTRIBUTEUR EN TUNISIE

Rue de la Fonte, zone industrielle 2013 BEN AROUS
 Téléphone : 71 38 85 34 – Fax : 71 38 42 30
 E-mail : atv@atv.tn
 Site web : www.atv.tn