

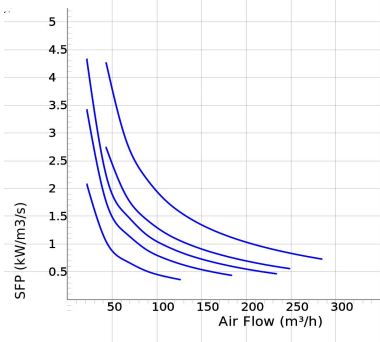
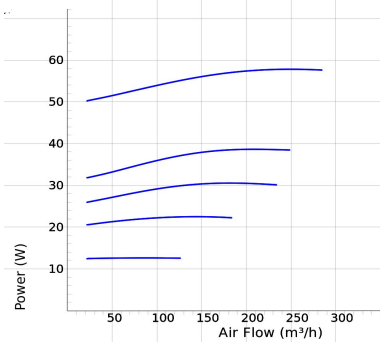
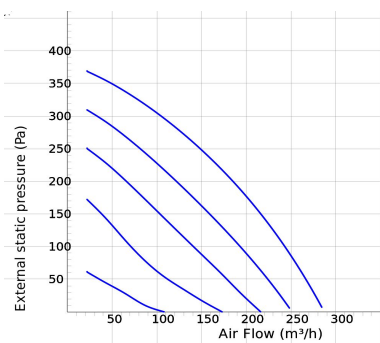


LPKB 100 C1

- Low profile duct fan with circular connections.
- A small and useful duct fan which are perfect for spaces with minimum height clearance.
- With one connection on the inlet side.
- High capacity and efficiency with low sound levels.
- Operational in both 50 and 60 Hz.
- Impeller with backward curved blades.
- The external rotor motor has maintenance-free sealed ball-bearings.
- Integrated motor protection.
- Junction box has enclosure class IP 54.
- For speed control a transformer or electronic speed controller can be connected.
- Fan housing is manufactured from galvanized sheet steel.
- Duct connections are equipped with rubber seals.
- The fan is intended to be installed in a duct system.
- A duct connected fan can be installed outside or in damp environments.
- The mounting brackets simplify installation in any position.
- To comply with the ErP 2018 regulation, a local demand controller must be used.

Accessories

- VRTE C
- VRDE 1,5
- VRS 0.5
- Local Demand Controller Kit
- MK 100
- BSV 100
- RSK 100
- YG 100
- VK 100
- FLK 100
- FLF 100
- LDC 100



Voltage steps

1	2	3	4	5
80V	110V	135V	165V	230V

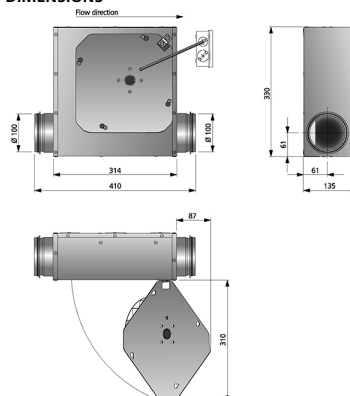
TECHNICAL DATA

	7540212 LPKB 100 C1 aut tp	7540215 LPKB 100 C1 man tp
Voltage	230 V	230 V
Phase	1 ~	1 ~
Frequency	50 Hz	50 Hz
Optional frequency	60 Hz	60 Hz
Power	58 W	58 W
Power 60Hz hidden	79 W	79 W
Current	0.25 A	0.25 A
Current 60Hz hidden	0.35 A	0.35 A
Speed	2600 r.p.m.	2600 r.p.m.
Speed 60Hz hidden	2910 r.p.m.	2910 r.p.m.
Max. temperature of transported air	80 °C	80 °C
Max. temperature of transported air when speed controlled	80 °C	80 °C
Sound pressure level at 3 m	47 dB(A)	47 dB(A)
Weight	4.9 kg	4.9 kg
Enclosure class	44 IP	44 IP
Insulation class, motor	F	F
Capacitor	2 µF	2 µF
Duct connection	100 mm	100 mm
Max. flow	288.00080640226 m³/h	288.00080640226 m³/h
Max. pressure	380 Pa	380 Pa
Voltage range	220-240 V	220-240 V

SOUND DATA

	Flow (m³/h)	L _{WA} tot dB (A)	63Hz	125Hz	250Hz	500Hz	1KHz	2KHz	4KHz	8KHz
5. Surrounding Lw dB(A) 230V	238	54	33	37	50	49	44	40	35	31
5. Outlet Lw dB(A) 230V	238	71	55	61	63	66	64	59	54	48
5. Inlet Lw dB(A) 230V	238	68	53	60	61	64	57	55	49	44
4. Inlet Lw dB(A) 165V	202	64	49	57	59	60	53	51	44	38
3. Inlet Lw dB(A) 135V	173	60	44	53	56	56	49	45	37	31
2. Inlet Lw dB(A) 110V	122	54	40	47	46	50	42	38	27	21
1. Inlet Lw dB(A) 80V	72	44	31	38	37	39	31	20	9	11

DIMENSIONS



DISTRIBUTEUR EN TUNISIE

Rue de la Fonte, zone industrielle 2013 BEN AROUS
Téléphone : 71 38 85 34 - Fax : 71 38 42 30
E-mail : atv@atv.tn
Site web : www.atv.tn