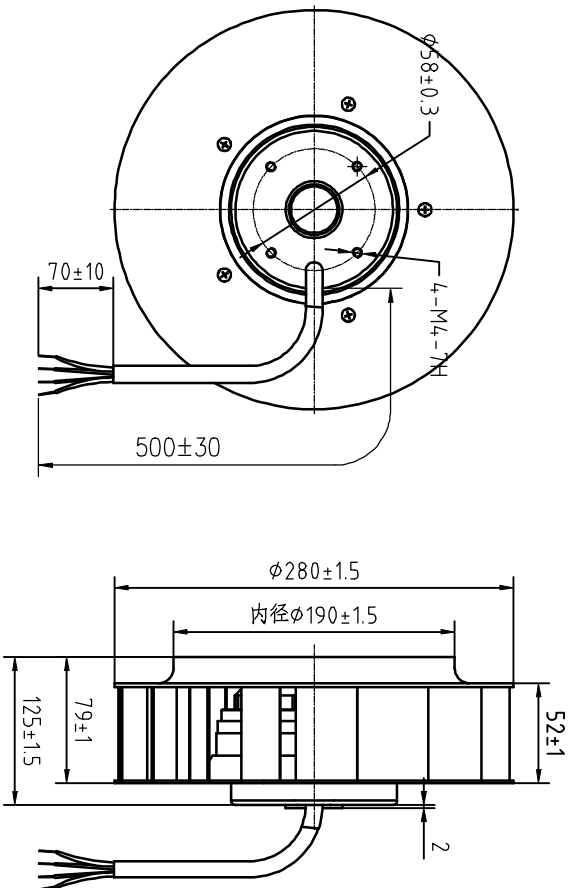


DRAWING NO.

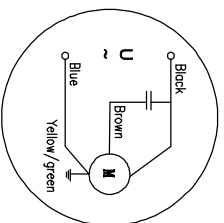
REV.

LIONBALL
www.lionball.cn

FAN MOTOR



LIONBALL
www.lionball.cn
MODEL: YWFB2E280
230V 50Hz 0.85A 190W 2450r/min
5μF/450V CL.F T.P



Unit: Backward Centrifugal Fan		Type:						
Motor: single phase motor with capacitor		Customer:						
Motor type:		Customer-type:						
TYPE	Voltage V	Frequency Hz	Input power W	Current A	Speed r/min+/-5%	Air volume m ³ /h	noise level dBA	capacitor μF/V00
YWFB2E280	230	50	190	0.85	2450	1900	67	5μF/450V
Insulation class: F		Operating type: S ₁						
Permissible ambient temperature: -20° ~ +50° C		Temperature increase: ΔT _{IK}						
Motor protection: 140±5°C		Bearings: ball bearings						
		License: UL						

Model meanings: YWFB 2 E 280

Centrifugal fan series
 Motor pole
 Single phase
 Diameter of impeller

Electrical connection: wire Silkon 4× 0.5mm², length 500±30mm, bootlace terminals

Direction of rotation: clockwise, looking from rotor side

High-voltage test according to CE 60335-1 1800V

Material/surface treatment: rotor varnished black,
stator moisture protected

Balancing/surface treatment: fan balanced dynamically in two planes. G6.3

APPROX.WEIGHT	MEANS

PROJECTION	DECIMAL	TOLERANCE	SIGN	DATE	TITLE
					YWFB2E280
					ONSQ.300.1898
					Ningbo Lionball Ventilator, LTD
DESCRIPTION	APPROVED	DATE			
		2017.5.12			
REV.					