

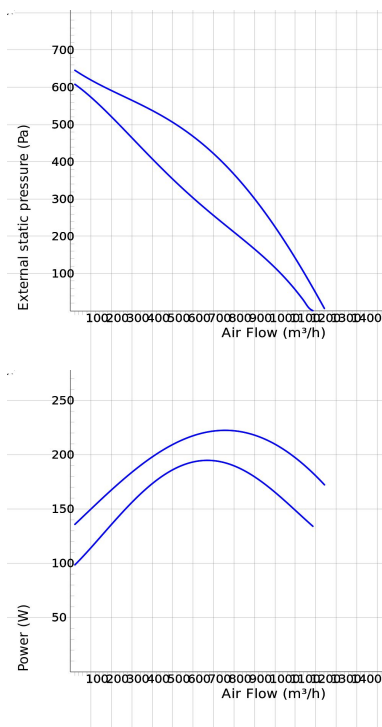


KVFU 315 C ErP

- Wall fan with circular inlet connection.
- KV has a square mounting plate.
- Proven performance and reliability.
- Compact with high capacity and efficiency.
- Suitable for a wide variety of applications.
- Operational in both 50 and 60 Hz.
- Impeller with backward curved blades.
- The external rotor motor has maintenance-free sealed ball-bearings.
- Integrated motor protection.
- Junction box has enclosure class IP 54.
- For speed control a transformer or electronic speed controller can be connected.
- Fan housing is manufactured from galvanized sheet steel.
- The fan is intended to be installed in a duct system, mounted on the inside wall.
- Easy installation in any position.
- Can be used in damp environments.
- This product cannot be speed controlled below 165 V.

Accessories

- VRTE C
- VRDE 1,5
- VRS 1.0
- MK 315
- BSV 315
- BSR 400
- RSK 315
- VK 400
- LDC 315



TECHNICAL DATA

	7100143 KVFU 315 C aut tp ErP	7100144 KVFU 315 C man tp ErP
Voltage	230 V	230 V
Phase	1 ~	1 ~
Frequency	50 Hz	50 Hz
Power	222 W	222 W
Current	0.97 A	0.97 A
Current 2	1.53 A	1.53 A
Current when speed controlled	1.2 A	1.2 A
Speed	2770 r.p.m.	2770 r.p.m.
Max. temperature of transported air	80 °C	80 °C
Max. temperature of transported air when speed controlled	75 °C	75 °C
Sound pressure level at 3 m	48 dB(A)	48 dB(A)
Weight	5.8 kg	5.8 kg
Enclosure class	44 IP	44 IP
Insulation class, motor	F	F
Capacitor	6 µF	6 µF
Duct connection	315 mm	315 mm
Max. flow	1249.2034977698 m³/h	1249.2034977698 m³/h
Max. pressure	657 Pa	657 Pa
Voltage range	220-240 V	220-240 V

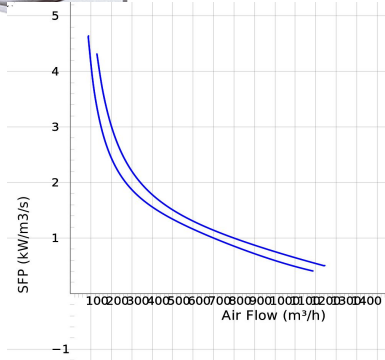
SOUND DATA

	Flow (m³/h)	L _{WA} tot dB (A)	63Hz	125Hz	250Hz	500Hz	1KHz	2KHz	4KHz	8KHz
2. Surrounding Lw dB(A) 230V	1091	55	25	44	46	47	46	49	49	38
2. Inlet Lw dB(A) 230V	972	74	52	59	64	61	66	68	68	65
1. Inlet Lw dB(A) 165V	828	71	50	57	62	59	64	65	65	63

DIMENSIONS

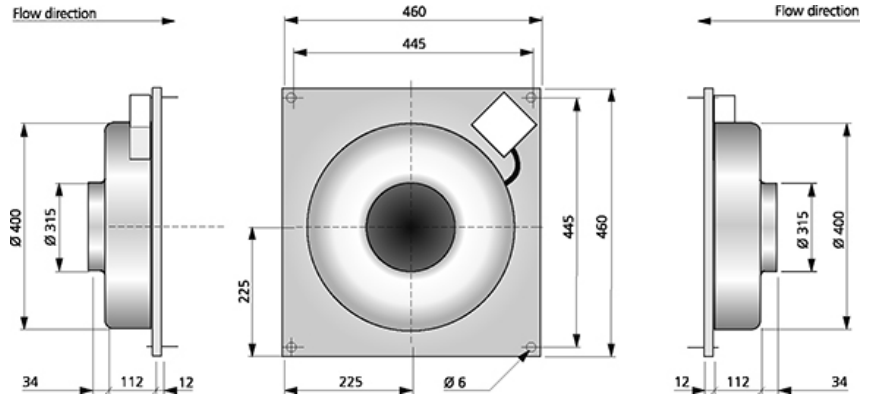


KVFU 315 C ErP



Voltage steps

1	2
165V	230V



DISTRIBUTEUR EN TUNISIE

Rue de la Fonte, zone industrielle 2013 BEN AROUS
 Téléphone : 71 38 85 34 - Fax : 71 38 42 30
 E-mail : atv@atv.tn
 Site web : www.atv.tn