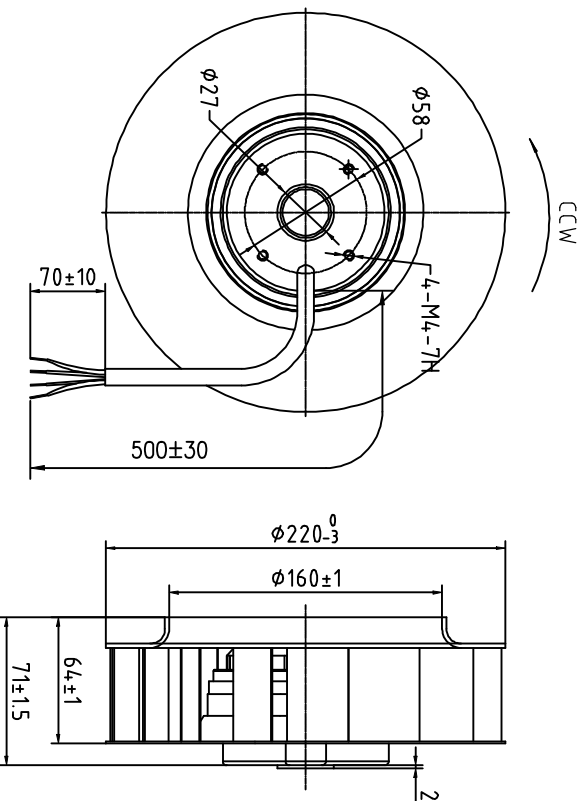


DRAWING NO.

REV.

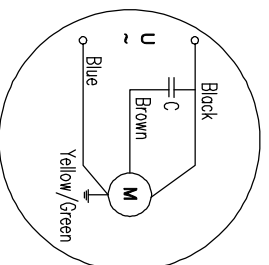
LIONBALL
www.lionball.cn

FAN MOTOR



LIONBALL MODEL: YWFB2E220
230V 50Hz 0.4A 90W 2600r/min
3uF/4.50V CL.F T.P

CE
www.lionball.cn



Unit: Backward Centrifugal Fan		Type:							
Motor: single phase motor with capacitor		Customer:							
Motor type: 92-25		Customer-type:							
TYPE	Voltage V	Frequency Hz	Input power W+5%/-10%	Current A+/-10%	Speed r/min+/-5%	Air volume m ³ /h	noise level dBA	capacitor uF/V00	
YWFB2E220	230	50	90	0.40	2600	900	72	3/4.50	
Insulation class: F		Operating type: S ₁		Permissible ambient temperature: -20° ~ +50°C		Temperature increase: ΔT: 7K		Motor protection: 140±5°C	
Bearing: ball bearings		License:		Model meanings:		Y W F B 2 E 2 2 0		Centrifugal fan series	
Motor pole		Single phase		Diameter of impeller		Electrical connection: lead wire Silkon 4× 0.5mm ² , length 500±30mm, bootlace terminals		Direction of rotation: clockwise, looking from rotor side	
High-voltage test according to CE 60335-1 1800V		Material/surface treatment: rotor varnished black, stator moisture protected		Balancing/surface treatment: fan balanced dynamically in two planes. G6.3		APPROX. WEIGHT		MEANS	
DRN.BY		SIGN		DATE		TITLE		Y W F B 2 E 2 2 0	
CHD.BY		ENG.BY		APP.BY		ONSQ.300.1864		Ningbo Lionball Ventilator.,LTD	

PROJECTION



DESCRIPTION

APPROVED

DATE

REV.