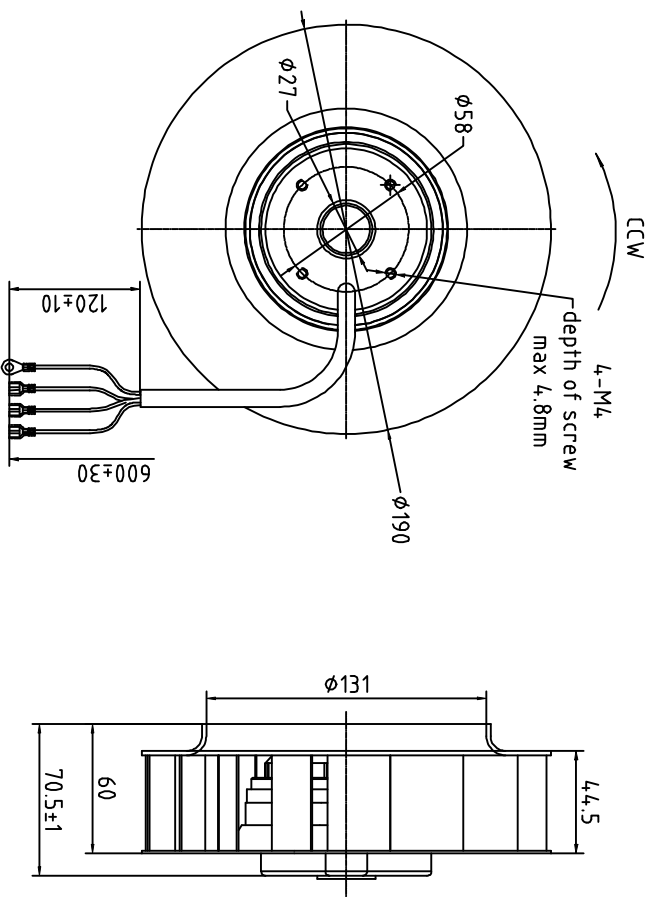


DRAWING NO.

REV.

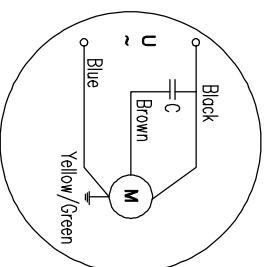
LIONBALL
www.lionball.cn

FAN MOTOR



LIONBALL MODEL: YWFBZ2E190
230V 50Hz 0.3A 65W 2400r/min
2uF/450V CL.F T.P

CE
www.lionball.cn



Unit: Backward Centrifugal Fan		Type:						
Motor: single phase motor with capacitor		Customer:						
Motor type:		Customer-type:						
TYPE	Voltage V	Frequency Hz	Input power W+5%/-10%	Current A+/-10%	Speed r/min+/-5%	Air volume m ³ /h	noise level dBA	capacitor uF/V00
YWFBZ2E190	230	50	65	0.3	2400	530	62	2/450
Insulation class: F		Operating type: S ₁						
Permissible ambient temperature: -20° ~ +50°C		Temperature increase: ΔT: 7K						
Motor protection: 140±5°C		Bearings: ball bearings						
License:		License:						

Model meanings:

YWFBZ E 190

Centrifugal fan series

Motor pole

Single phase

Diameter of impeller

Electrical connection: lead wire Silikon 4× 0.5mm², length 600±30mm, bootlace terminals

Direction of rotation: clockwise, looking from rotor side

High-voltage test according to CE 60335-1 1800V

Material/surface treatment: rotor varnished black,
stator moisture protected

Balancing/surface treatment: fan balanced dynamically in two planes. G6.3

APPROX. WEIGHT	MEANS
----------------	-------

PROJECTION	DECIMAL	TOLERANCE	SIGN	DATE	TITLE
					YWFBZ2E190
					ONSQ.300.1736
					Ningbo Lionball Ventilator, L.TD
DESCRIPTION	APPROVED	DATE			
		2017.5.12			
REV.					