

AC centrifugal fan

forward curved, single inlet

with housing (flange)

ebm-papst Mulfingen GmbH & Co. KG

Bachmühle 2

74673 Mulfingen

Phone: +49 7938 81-0

Fax: +49 7938 81-110

www.ebmpapst.com

info1@de.ebmpapst.com

Nominal data

Type	G2E180-EH03-01		
Motor	M2E074-EI		
Phase		1~	1~
Nominal voltage	[V]	230	230
Frequency	[Hz]	50	60
Type of data definition		rfa	ml
Valid for approval / standard		CE	CE
Speed	[min ⁻¹]	1950	2150
Power input	[W]	400	415
Current draw	[A]	1.75	1.82
Motor capacitor	[µF]	8	8
Capacitor voltage	[VDB]	400	400
Capacitor standard		P0 (CE)	P0 (CE)
Min. back pressure	[Pa]	0	250
Max. ambient temperature	[°C]	40	30

ml = max. load · me = max. efficiency · rfa = running at free air · cs = customer specs · cu = customer unit
Subject to alterations

AC centrifugal fan

forward curved, single inlet

with housing (flange)

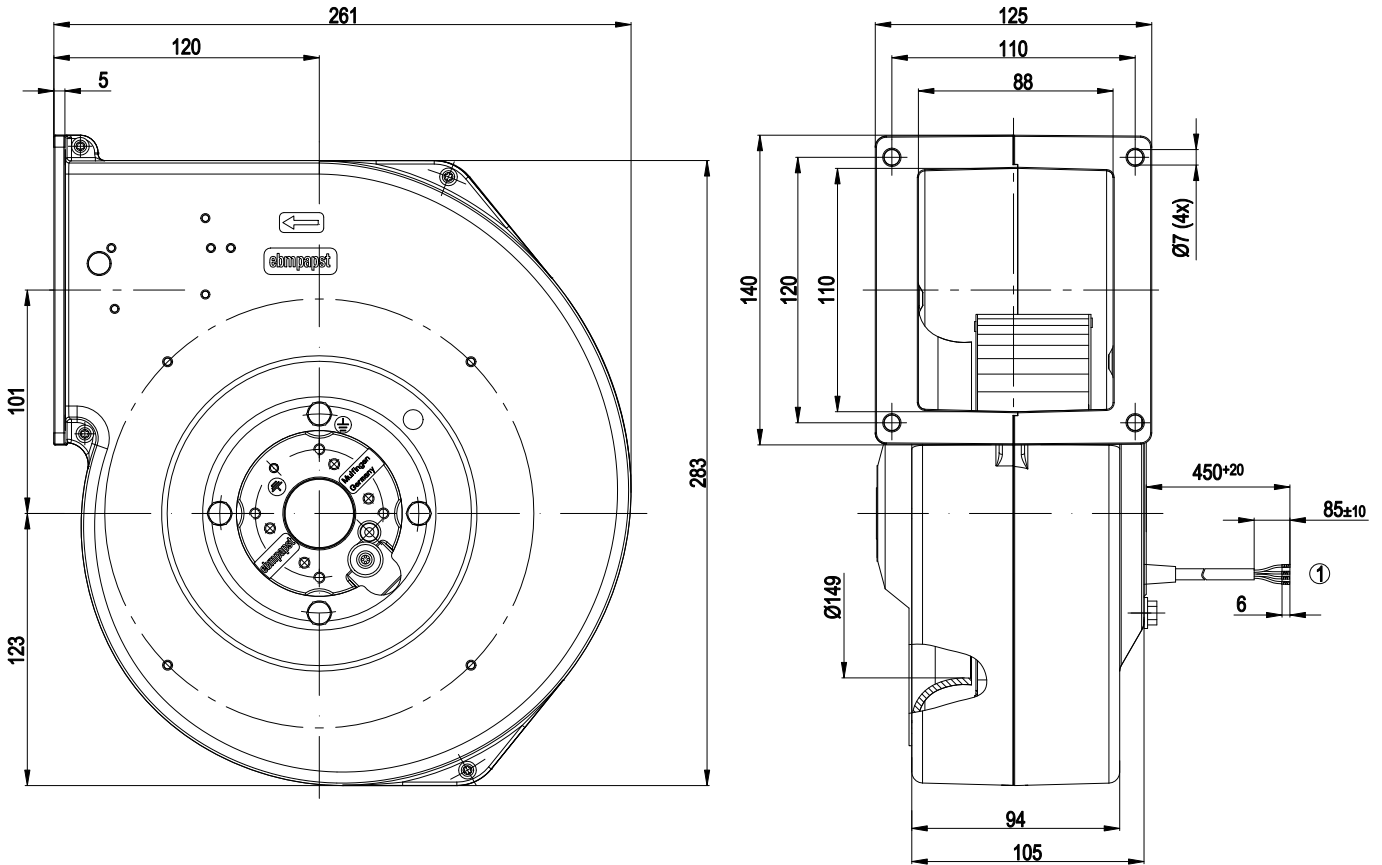
Technical features

Leakage current	< 0.75 mA
Size	180 mm
Operation mode	S1
Direction of rotation	Clockwise, seen on rotor
Mounting position	Any
Humidity class	F0
Insulation class	"B"
Condensate discharge holes	Rotor-side
Bearing motor	Ball bearing
Mass	5.6 kg
Housing material	Die-cast aluminum
Material of impeller	Sheet steel, galvanized
Motor protection	Thermal overload protector (TOP) wired internally
Product conforming to standard	CE; EN 60335-1
Surface of rotor	Coated in black
Type of protection	IP 44; Depending on installation and position as per EN 60034-5
Protection class	I
Max. permissible ambient motor temp. (transp./ storage)	+ 80 °C
Min. permissible ambient motor temp. (transp./storage)	- 40 °C
Approval	CCC

AC centrifugal fan

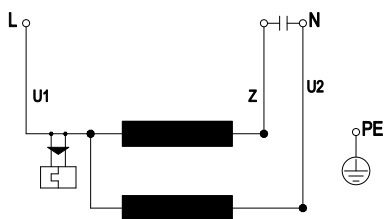
forward curved, single inlet
with housing (flange)

Product drawing



1 Connection line PVC, 4x brass lead tips crimped

Connection screen

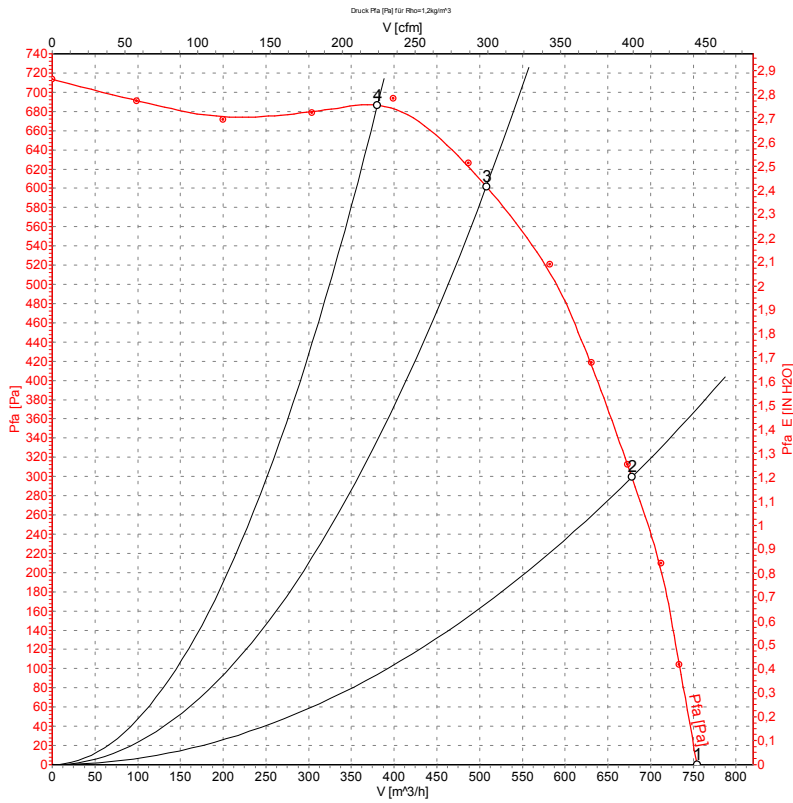


U1	blue	Z	brown	U2	black
PE	green/yellow				

AC centrifugal fan

forward curved, single inlet
with housing (flange)

Charts: Air flow 50 Hz



Measurement: LU-105271

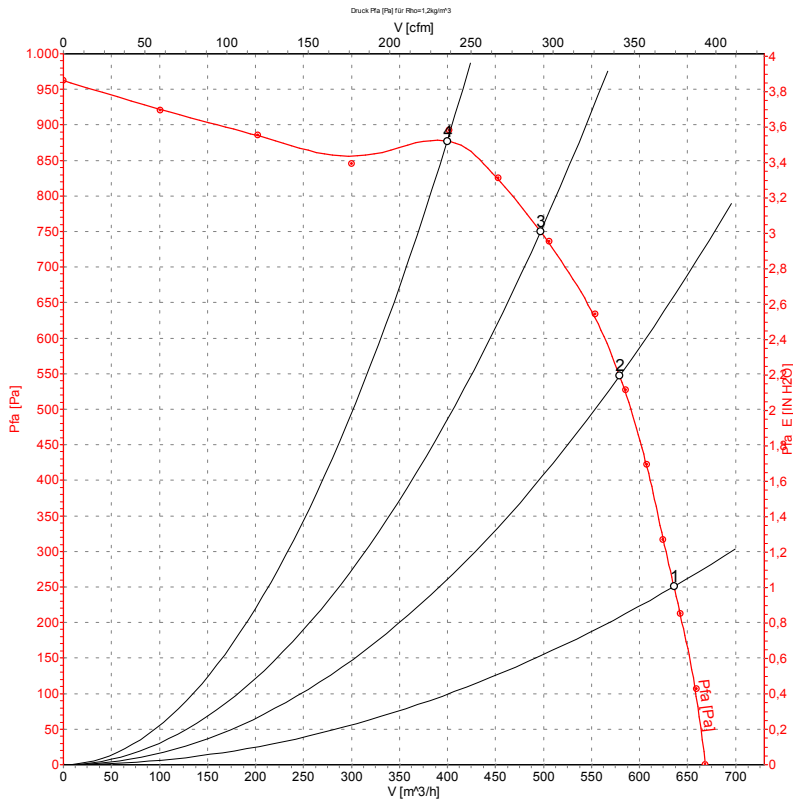
Measured values

	U	f	n	P ₁	I	\hat{V}	P _{fa}
	[V]	[Hz]	[min ⁻¹]	[W]	[A]	[m ³ /h]	[Pa]
1	230	50	1950	400	1.75	755	0
2	230	50	2300	344	1.49	680	300
3	230	50	2595	265	1.18	510	603
4	230	50	2710	224	1.02	380	690

AC centrifugal fan

forward curved, single inlet
with housing (flange)

Charts: Air flow 60 Hz



Measurement: LU-105273

Measured values

	U	f	n	P ₁	I	\hat{V}	P _{fa}
	[V]	[Hz]	[min ⁻¹]	[W]	[A]	[m³/h]	[Pa]
1	230	60	2140	415	1.82	635	250
2	230	60	2555	390	1.70	580	548
3	230	60	2825	360	1.60	495	751
4	230	60	3040	324	1.48	400	891