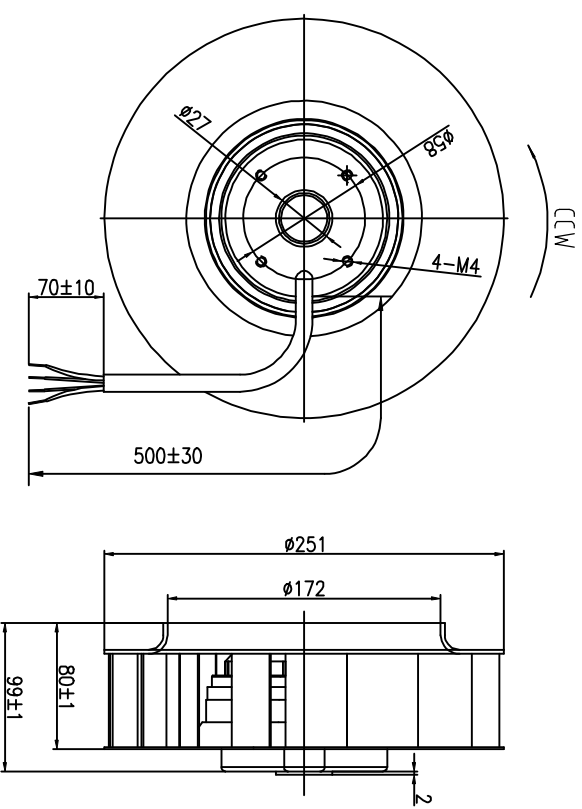


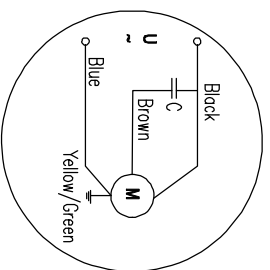


WWW.LIONBALL.CN

FAN MOTOR



LIONBALL MODEL: YWFB2E250
 230V 50Hz 0.65A 14.5W 24.50r/min
 4μF/4.50V C.L.F T.P
CE
 WWW.LIONBALL.CN



Unit: Backward Centrifugal Fan		Type:						
Motor: single phase motor with capacitor		Customer:						
Motor type:	Customer-type:							
TYPE	Voltage V	Frequency Hz	Input power W	Current A	Speed r/min±5%	Air volume m ³ /h	noise level dBA	capacitor μF/V010
YWFB2E250	230	50	14.5	0.65	24.50	14.00	75	4μF/4.50V
Insulation class:	Operating type: S ₁			Temperature increase: ΔT: 75K				
Permissible ambient temperature: -20° ~ +50°C	Bearings: ball bearings			License: UL				
Motor protection: 14.0±5°C								

Model meanings: YWFB 2 E 250
 Centrifugal fan series
 Motor pole
 Single phase
 Diameter of impeller

Electrical connection: lead wire Silikon 4x 0.5mm², length 500±30mm, bootlace terminals
 Direction of rotation: clockwise, looking from rotor side
 High-voltage test according to CE 60335-1 1800V
 Material/surface treatment: rotor varnished black, stator moisture protected
 Balancing/surface treatment: fan balanced dynamically in two planes. G6.3
 APPROX WEIGHT
 MEANS

PROJECTION	DECIMAL	TOLERANCE	TITLE
	DRN BY	SIGN	DATE
	CHD BY		
	ENG BY		
	APP BY		
DESCRIPTION	APPROVED	DATE	ONSQ.300.1893-01
REV.			