

**ebm-papst Mulfingen GmbH & Co. KG**

Bachmühle 2  
 74673 Mulfingen  
 Phone: +49 7938 81-0  
 Fax: +49 7938 81-110  
 www.ebmpapst.com  
 info1@de.ebmpapst.com

## Nominal data

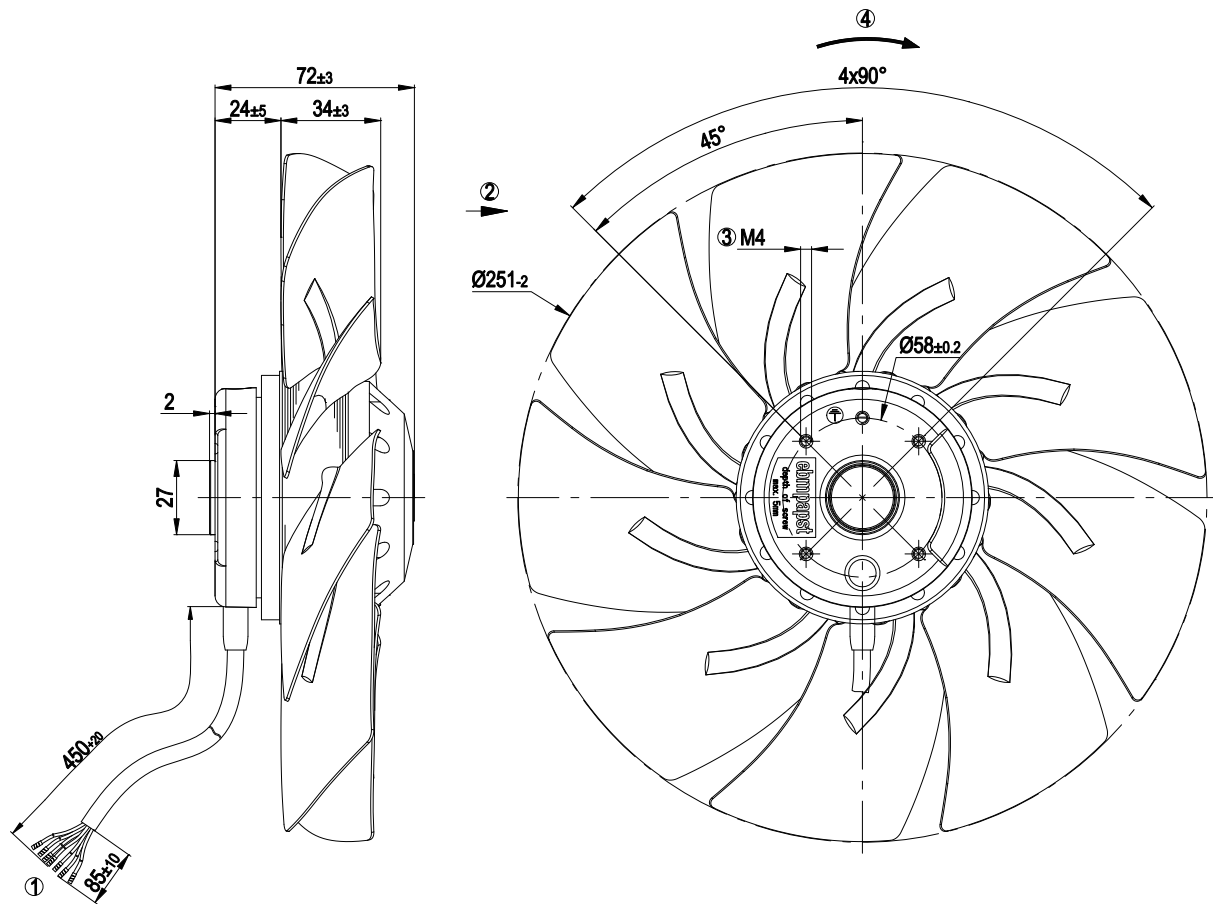
Type	A4D250-AI22-01				
Motor	M4D068-CF				
Phase		3~	3~	3~	3~
Nominal voltage	[V]	230	230	400	400
Connection		Δ	Δ	Y	Y
Frequency	[Hz]	50	60	50	60
Type of data definition		rfa	rfa	rfa	rfa
Valid for approval / standard		CE	CE	CE	CE
Speed	[min <sup>-1</sup> ]	1400	1580	1400	1580
Power input	[W]	25	32	25	32
Current draw	[A]	0.12	0.12	0.07	0.07
Max. back pressure	[Pa]	70	70	70	70
Max. ambient temperature	[°C]	85	80	85	80
Air flow	[m <sup>3</sup> /h]	1010	1140	1010	1140
Back pressure	[Pa]	0	0	0	0
Sound pressure level	[dB(A)]	54	57	54	57

ml = max. load · me = max. efficiency · rfa = running at free air · cs = customer specs · cu = customer unit  
 Subject to alterations

## Technical features

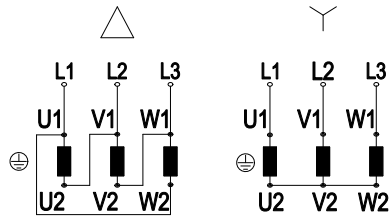
Leakage current	< 0,75 mA
Size	250 mm
Operation mode	S1
Mounting position	Shaft horizontal or rotor on bottom; rotor on top on request
Direction of rotation	Counter-clockwise, seen on rotor
Insulation class	"B"
Cable exit	Lateral
Condensate discharge holes	Rotor-side
Bearing-motor	Ball bearing
Mass	1.77 kg
Material of blades	Sheet steel, coated in black
Product conforming to standard	EN 60335-1
Surface of rotor	Coated in black
Number of blades	9
Type of protection	IP 44
Protection class	I
Approval	GOST

## Product drawing



1	Connection line PVC, 7x brass lead tips crimped
2	Direction of air flow "A"
3	Screw depth max. 5 mm
4	Direction of rotation counter-clockwise, seen on rotor

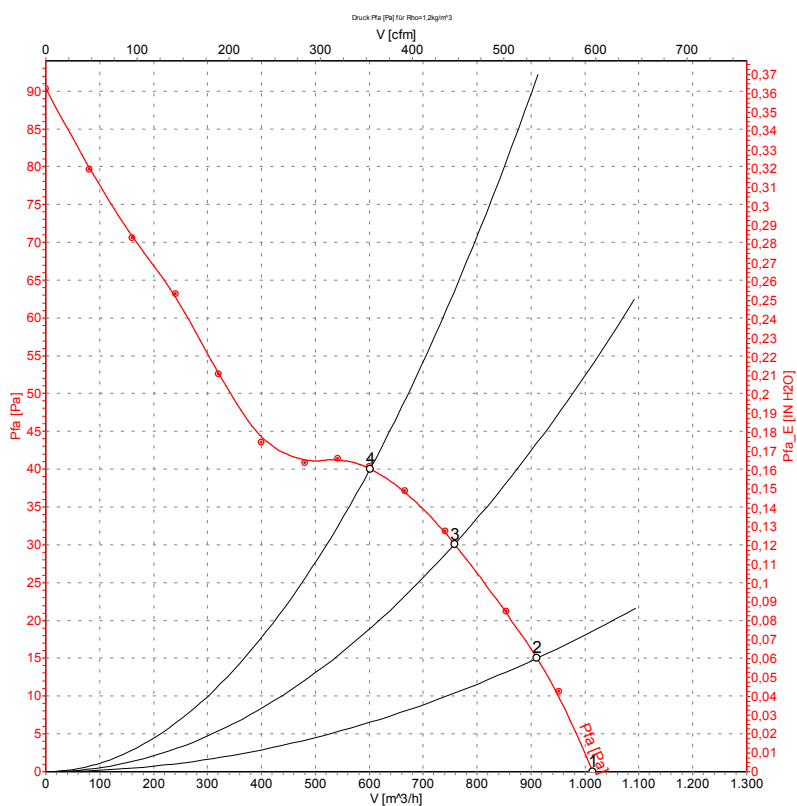
## Connection screen



Note: Direction of rotation changes when two phases are reversed

$\Delta$	Delta connection	Y	Star connection	L1	black
L2	blue	L3	brown	U1	black
V1	blue	W1	brown	U2	green
V2	white	W2	yellow		

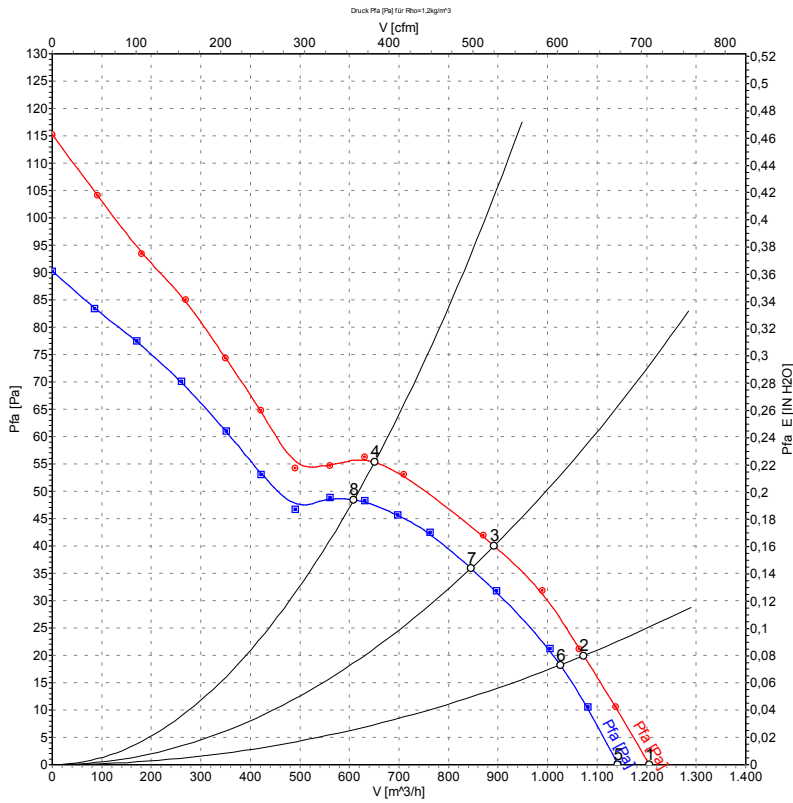
## Charts: Air flow 50 Hz



### Measured values

	U	f	n	P <sub>1</sub>	I	$\hat{V}$	P <sub>fa</sub>
	[V]	[Hz]	[min <sup>-1</sup> ]	[W]	[A]	[m³/h]	[Pa]
1	400	50	1400	25	0.07	1015	0
2	400	50	1380	27	0.07	910	15
3	400	50	1365	29	0.07	760	30
4	400	50	1355	30	0.07	600	40

Charts: Air flow 60 Hz



Measured values

	U	f	n	P <sub>1</sub>	I	$\hat{V}$	P <sub>fa</sub>
	[V]	[Hz]	[min <sup>-1</sup> ]	[W]	[A]	[m <sup>3</sup> /h]	[Pa]
1	480	60	1650	35	0.07	1205	0
2	480	60	1625	40	0.07	1075	20
3	480	60	1600	44	0.08	890	40
4	480	60	1585	46	0.08	650	56
5	400	60	1580	32	0.07	1140	0
6	400	60	1550	35	0.07	1025	18
7	400	60	1510	38	0.07	845	36
8	400	60	1490	40	0.08	610	48