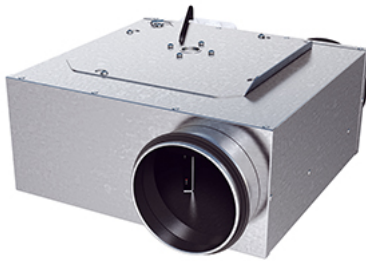


LPKB 125 C1



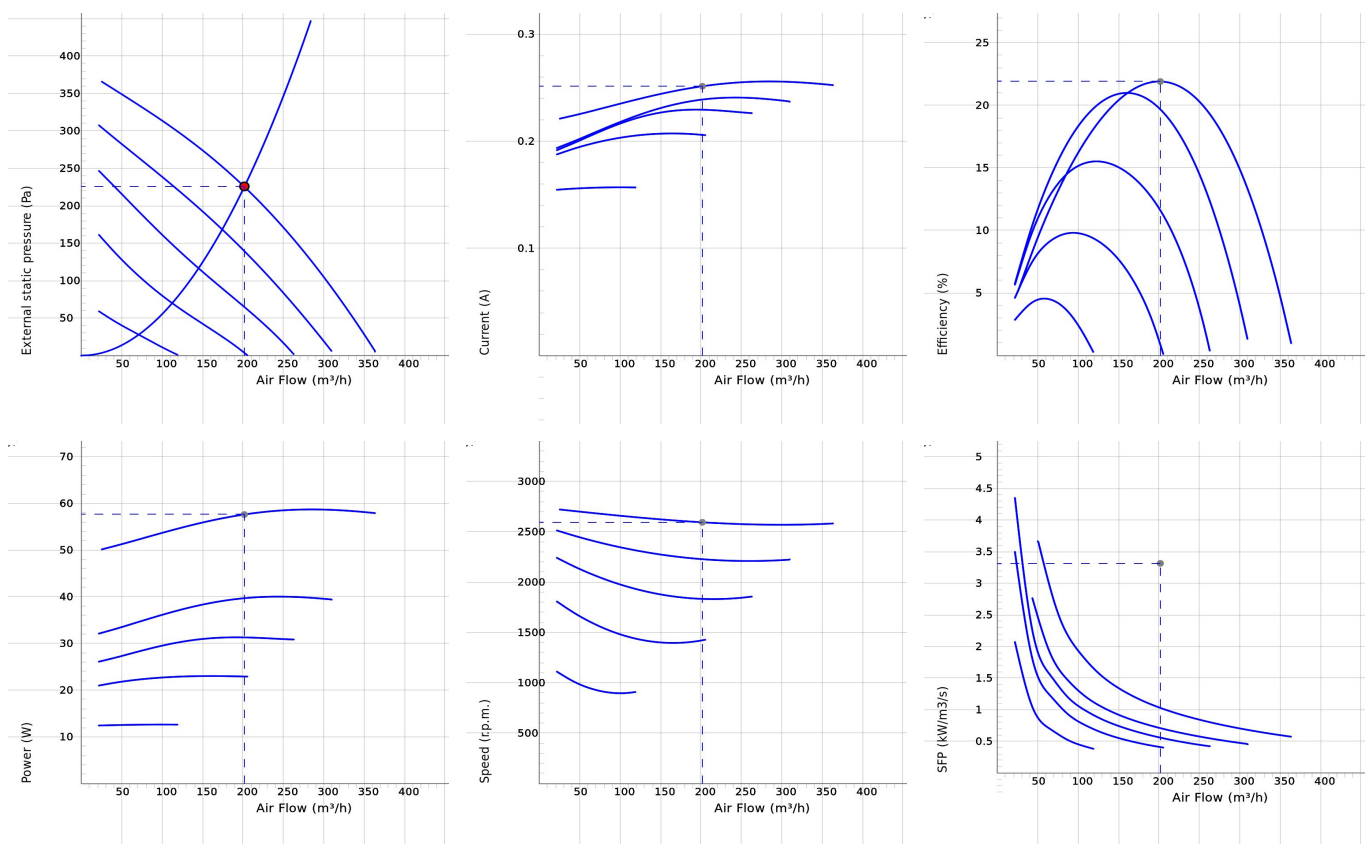
- Low profile duct fan with circular connections.
- A small and useful duct fan which are perfect for spaces with minimum height clearance.
- With one connection on the inlet side.
- High capacity and efficiency with low sound levels.
- Operational in both 50 and 60 Hz.
- Impeller with backward curved blades.
- The external rotor motor has maintenance-free sealed ball-bearings.
- Integrated motor protection.
- Junction box has enclosure class IP 54.
- For speed control a transformer or electronic speed controller can be connected.
- Fan housing is manufactured from galvanized sheet steel.
- Duct connections are equipped with rubber seals.
- The fan is intended to be installed in a duct system.
- A duct connected fan can be installed outside or in damp environments.
- The mounting brackets simplify installation in any position.
- To comply with the ErP 2018 regulation, a local demand controller must be used.



DISTRIBUTEUR EN TUNISIE

Rue de la Fonte, zone industrielle 2013 BEN AROUS
Téléphone : 71 38 85 34 – Fax : 71 38 42 30
E-mail : atv@atv.tn
Site web : www.atv.tn

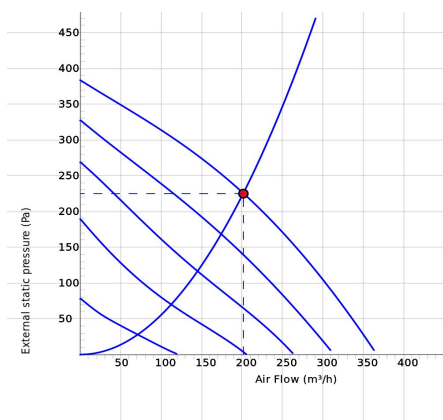
DIAGRAMS



Work Point

Air Flow (m³/h) 202	External static pressure (Pa) 225	Power (W) 57.6	Speed (r.p.m.) 2594	Current (A) 0.251	Efficiency (%) 21.9	SFP (kW/m³/s) 1.03	Voltage (V) 230
------------------------	--------------------------------------	-------------------	------------------------	----------------------	------------------------	-----------------------	--------------------

SOUND DATA



	Tot	63	125	250	500	1k	2k	4k	8k
Inlet Lw dB(A)	68	51	62	63	64	56	53	50	46
Outlet Lw dB(A)	70	55	61	63	66	62	57	55	48
Surrounding Lw dB(A)	53	32	38	48	49	45	40	34	31
Surrounding Lp dB (A) 3m	46								

Work Point

Air Flow (m³/h) 202	External static pressure (Pa) 225	Power (W) 57.6	Speed (r.p.m.) 2594	Current (A) 0.251	Efficiency (%) 21.9	SFP (kW/m³/s) 1.03	Voltage (V) 230
------------------------	--------------------------------------	-------------------	------------------------	----------------------	------------------------	-----------------------	--------------------

TECHNICAL DATA

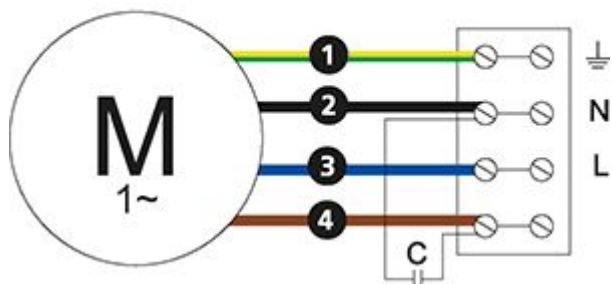
Parameter	LPKB 125 C1 aut tp 7540231		LPKB 125 C1 man tp 7540233	
	Value	Unit	Value	Unit
Voltage	230	V	230	V
Phase	1	~	1	~
Frequency	50	Hz	50	Hz
Optional frequency	60	Hz	60	Hz
Power	59	W	59	W
Current	0.26	A	0.26	A
Speed	2570	r.p.m.	2570	r.p.m.
Max. temperature of transported air	80	°C	80	°C
Max. temperature of transported air when speed controlled	80	°C	80	°C
Sound pressure level at 3 m	47	dB(A)	47	dB(A)
Weight	5.0	kg	5.0	kg
Enclosure class	44	IP	44	IP
Insulation class, motor	F		F	
Capacitor	2	µF	2	µF
Duct connection	125	mm	125	mm
Max. flow	396.0011088031	m³/h	396.0011088031	m³/h
Max. pressure	382	Pa	382	Pa
Voltage range	220-240	V	220-240	V

ECODESIGN

Parameter	Value	Unit
(a) Manufacturer	Östberg	-
(b) Model code	LPKB 125 C1	-
(c) SEC value	-25.95	kWh/m ²
SEC class	C	-
(d) Declared type	RVU / UVU	-
(e) Type of drive	Multi-speed drive (accessory)	-
(f) Type of heat recovery	N/A	-
(g) Thermal efficiency	N/A	%
(h) Max. flow rate (@100Pa)	303	m ³ /h
(i) Power at max. flow rate	59	W
(j) Sound power level	54	dB LwA
(k) Reference flow rate	0.060	m ³ /s
(l) Reference pressure difference	50	Pa
(m) SPI	0.14	W/(m ³ /h)
(n) Type of control	Local demand control (accessory)	-
(o) External (and internal) leakage rate	0.99 (N/A)	%
(p) Mixing rate	N/A	-
(q) Visual filter warning	N/A	-
(r) Instruction supply/exhaust grilles	See manual	-
(s) Disassembly instructions	www.ostberg.com	-
(t) Airflow sensitivity	N/A	-
(u) Air tightness	N/A	m/s
(v) AEC	139	kWh
(w) AHS average	3018	kWh
AHS warmer	1365	kWh
AHS colder	5904	kWh

WIRING DIAGRAM

4040001



Ⓜ = Fan Motor

Ⓜ1 = Fan Motor

Ⓜ2 = Fan Motor

Ⓜ3 = Rotor Motor

① = Yellow/Green

② = Black

③ = Blue

④ = Brown

⑤ = White

⑥ = Orange

⑦ = Grey

⑧ = Red

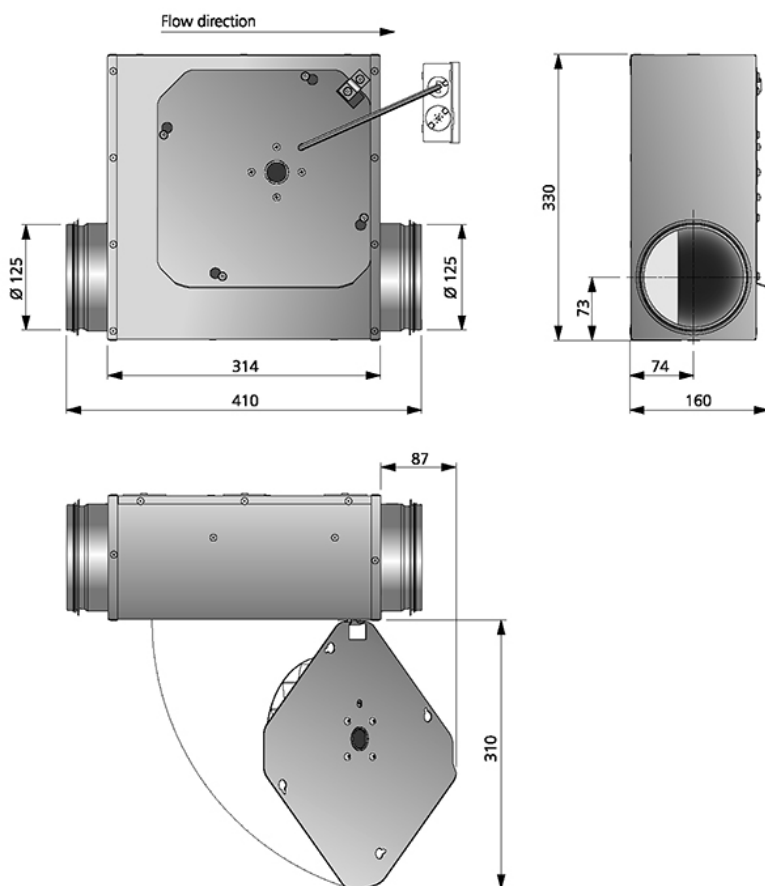
⑨ = Green

⑩ = Violet

⑪ = Quick switch

⑫ = Yellow

DIMENSIONS



ACCESSORIES

Mechanical accessories



Mounting clamp MK 125



Safety grille BSV 125



Back draught shutter RSK 125



Louvre YG 125



Louvre shutter VK 125



Filterbox FLK 125



Filterbox FLF 125



Silencer LDC 125

Electrical accessories



Transformer controller VRTE C



Transformer controller VRDE 1.5



Speed controller VRS 0.5



Local Demand Controller Kit



DISTRIBUTEUR EN TUNISIE

Rue de la Fonte, zone industrielle 2013 BEN AROUS
Téléphone : 71 38 85 34 - Fax : 71 38 42 30
E-mail : atv@atv.tn
Site web : www.atv.tn