

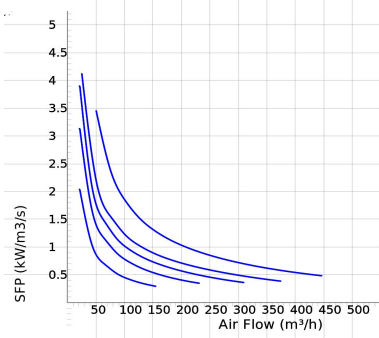
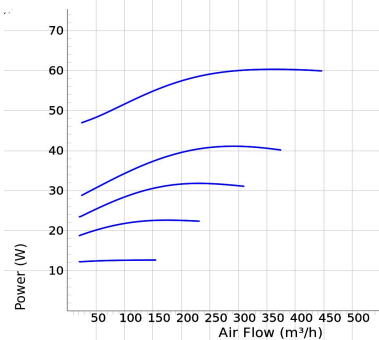
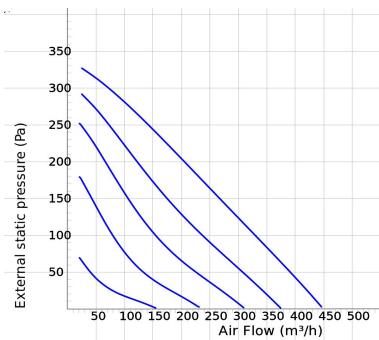


KVFU 125 C

- Wall fan with circular inlet connection.
- KV has a square mounting plate.
- Proven performance and reliability.
- Compact with high capacity and efficiency.
- Suitable for a wide variety of applications.
- Operational in both 50 and 60 Hz.
- Impeller with backward curved blades.
- The external rotor motor has maintenance-free sealed ball-bearings.
- Integrated motor protection.
- Junction box has enclosure class IP 54.
- For speed control a transformer or electronic speed controller can be connected.
- Fan housing is manufactured from galvanized sheet steel.
- The fan is intended to be installed in a duct system, mounted on the inside wall.
- Easy installation in any position.
- Can be used in damp environments.
- To comply with the ErP 2018 regulation, a local demand controller must be used.

Accessories

- VRTE C
- VRDE 1,5
- VRS 0.5
- Local Demand Controller Kit
- MK 125
- BSV 125
- BSR 250
- RSK 125
- YG 250
- VK 250
- LDC 125



Voltage steps

1	2	3	4	5
80V	110V	135V	165V	230V

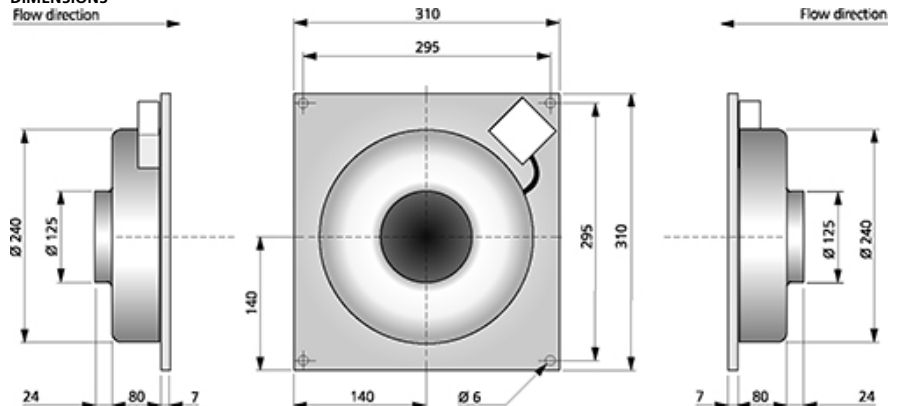
TECHNICAL DATA

	7100046 KVFU 125 C man tp	7100098 KVFU 125 C aut tp
Voltage	230 V	230 V
Phase	1 ~	1 ~
Frequency	50 Hz	50 Hz
Power	60 W	60 W
Current	0.26 A	0.26 A
Speed	2520 r.p.m.	2520 r.p.m.
Max. temperature of transported air	80 °C	80 °C
Max. temperature of transported air when speed controlled	80 °C	80 °C
Sound pressure level at 3 m	44 dB(A)	44 dB(A)
Weight	2.5 kg	2.5 kg
Enclosure class	44 IP	44 IP
Insulation class, motor	F	F
Capacitor	2 µF	2 µF
Duct connection	125 mm	125 mm
Max. flow	450.00126000353 m³/h	450.00126000353 m³/h
Max. pressure	338 Pa	338 Pa
Voltage range	220-240 V	220-240 V

SOUND DATA

	Flow (m³/h)	L _{WA} tot dB (A)	63Hz	125Hz	250Hz	500Hz	1KHz	2KHz	4KHz	8KHz
5. Surrounding Lw dB(A) 230V	266	51	25	31	44	44	46	44	39	31
5. Outlet Lw dB(A) 230V	266	65	33	40	49	56	62	59	55	45
5. Inlet Lw dB(A) 230V	266	68	52	57	62	63	59	58	58	51
4. Inlet Lw dB(A) 165V	223	64	50	54	59	59	54	53	53	44
3. Inlet Lw dB(A) 135V	187	60	48	51	55	54	49	48	46	36
2. Inlet Lw dB(A) 110V	137	54	45	46	48	47	42	39	37	24
1. Inlet Lw dB(A) 80V	79	43	37	37	38	35	28	21	21	16

DIMENSIONS



DISTRIBUTEUR EN TUNISIE

Rue de la Fonte, zone industrielle 2013 BEN AROUS
 Téléphone : 71 38 85 34 – Fax : 71 38 42 30
 E-mail : atv@atv.tn
 Site web : www.atv.tn